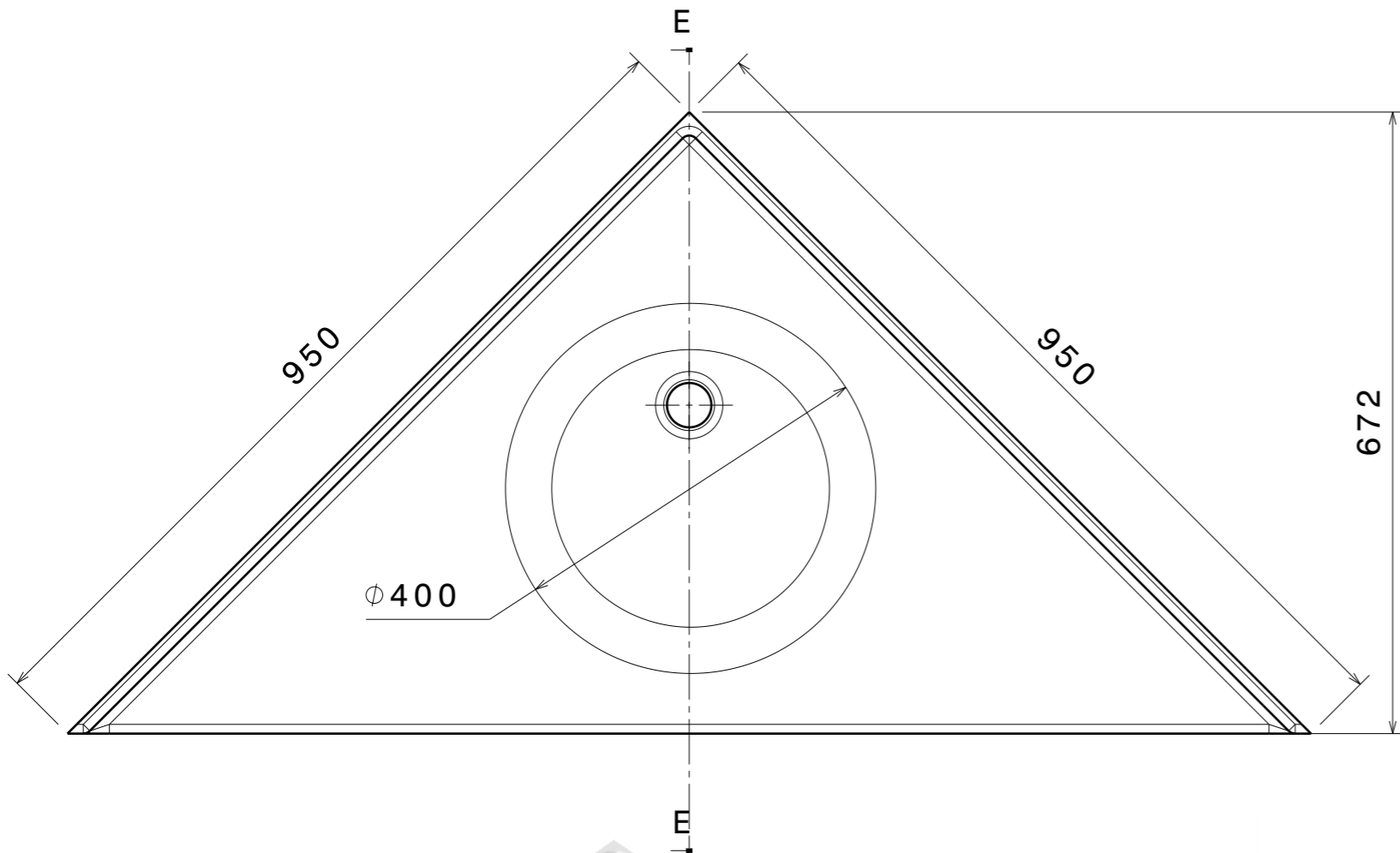
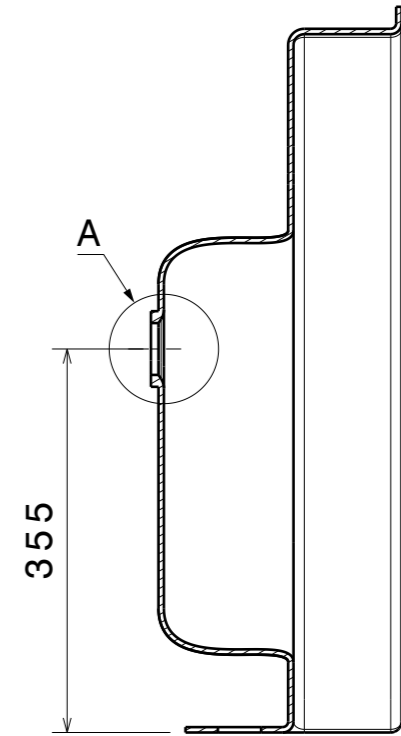
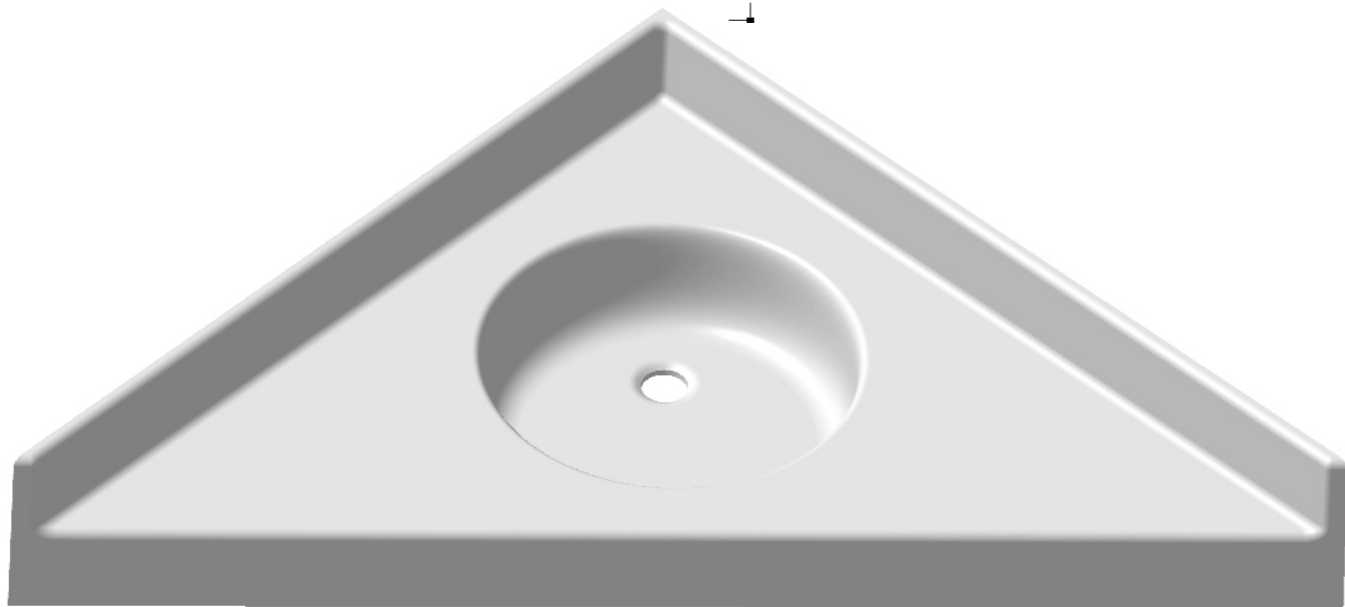
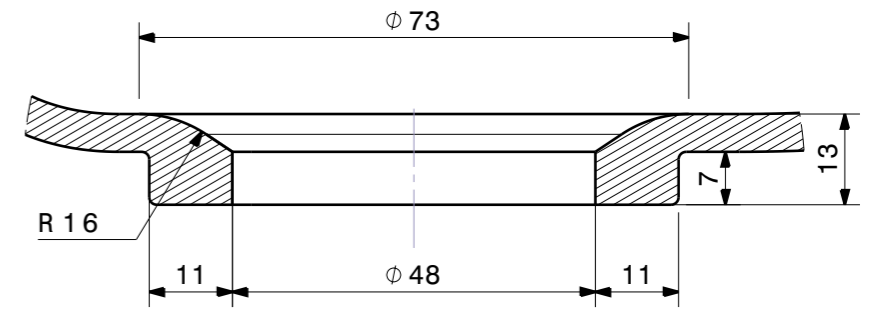


Coupe E-E  
Echelle : 1:7



Détail A  
Echelle: 1:1



|   |                       |   |   |                    |
|---|-----------------------|---|---|--------------------|
| A   |                       |   | 29/01/2019                                      | BRAHIM.J           |
| <b>Version</b>  |                       | <b>Description</b>  | <b>Date</b>                                     | <b>Intervenant</b> |
| This drawing is our property, it can't be reproduced or communicated without our written agreement. |                       |   |   |                    |
| Feuille: 1/1<br>Folio:  | Echelle: 1:7<br>A3    | Tolérance générale: ± 2mm/m<br>Linéarité : ± 1mm/m<br>Épaisseur : ± 1mm                     | Matière: GRP<br>Material:                       | Masse: Mass:       |
|   | Nombre: XX<br>Numero: | Ensemble: Set:  | Protection: Sous-ensemble: Subset:              |                    |
|   |                       | Pièce/Part: <b>PMR STOCKHOLM</b><br>Numéro du document/Drawing number: <b>PMR STOCKHOLM</b> | Etabli par: <b>BRAHIM.J</b><br>Date: 29/01/2019 |                    |